

# EE 206 Circuit Theory

## Week 1

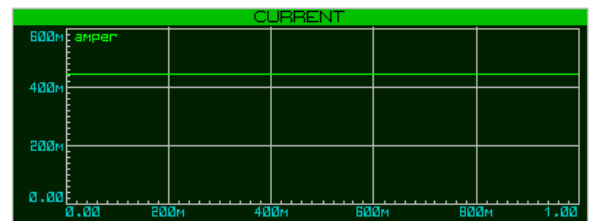
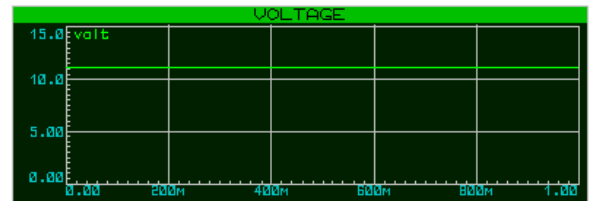
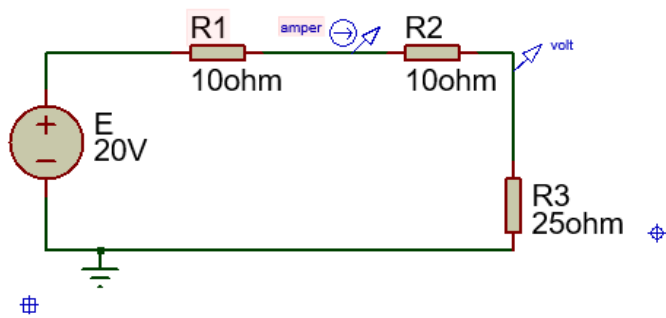


Figure 1

**LAB WORK**

Implement the circuit of Figure 2 in Proteus. Plot the  $V_1$ ,  $I_1$  and  $I_4$  values.

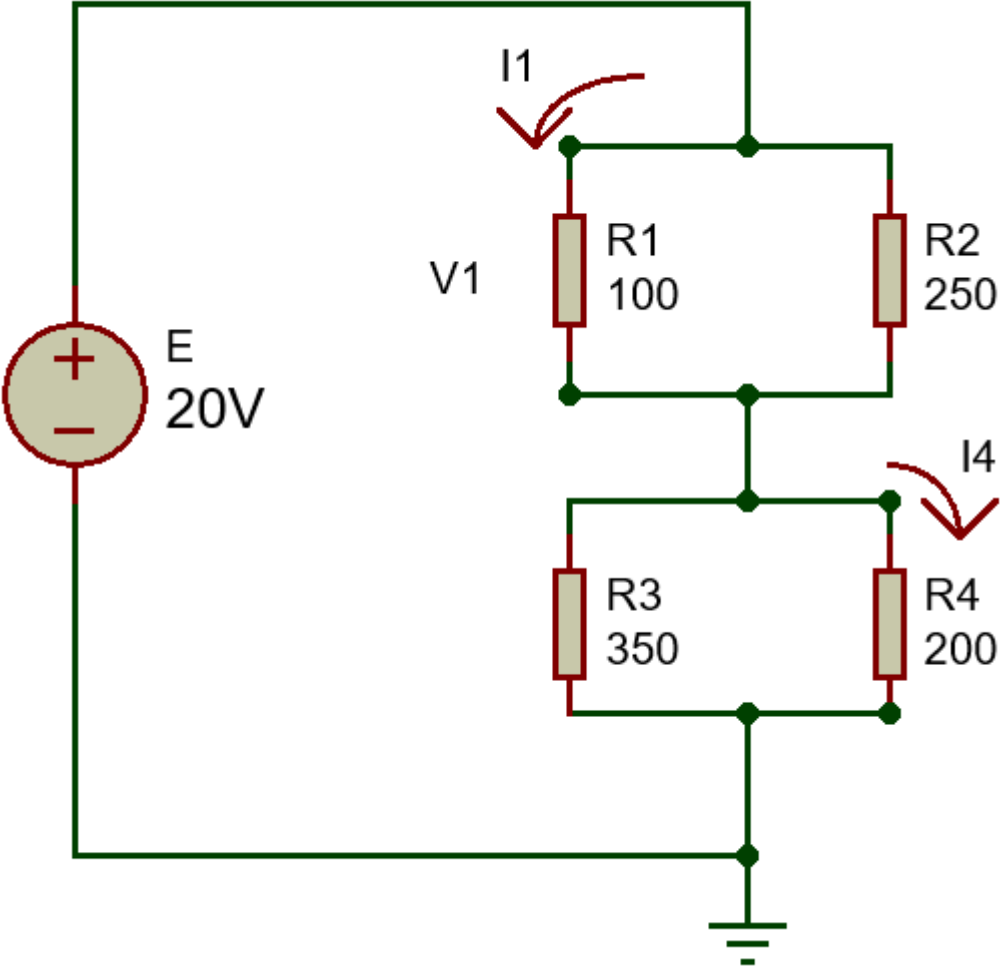


Figure 2